

**BY PRODUCTS PROCESSING**
**BEEF - SHEEP - HOG NAIL/HOOF REMOVER MACHINE | TYPE : EM300**

- The Nail-Hoof Remover Machine is Special Designed for removing the Nails-Hooves from Beef, Sheep or Hog Feet in an Easy, Fast and Safe Way Without Damaging the Feet.

This Nail-Hoof Remover Machine is equipped with a Motorized Pulling wheels/axles which significantly reduces the operator fatigue, which is normally associated with manual removing, this results into improved production figures.

With this machine it is possible to Remove up to 600 Beef, Sheep or Hog Nails-Hooves per hour.

The Nail-Hoof Remover Machine is manufactured from high quality stainless steel and other corrosion resistant materials. It is also supplied with an Electric Control Panel with a stainless-steel cabinet, including a Start/Stop and Emergency switch.

This durable and reliable Machine is easy to use, to clean and maintain. It has been carefully designed regarding ergonomic requirements.

All food process contact surfaces are in accordance with regulation (EC) 1935/2004.

- **SUPPLIED WITH**

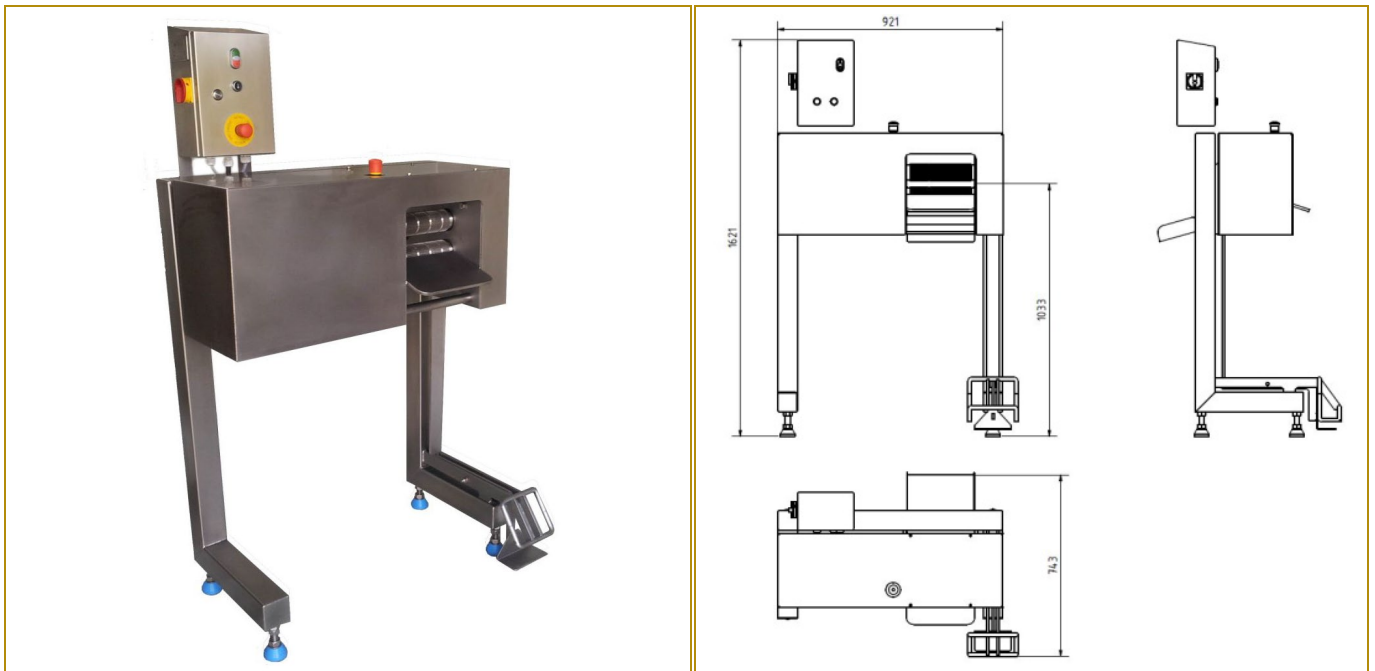
- Electrical Control Panel (CE-Norm NEN-EN-IEC 60204-1) Including Start/Stop and Emergency Switch.
- Movable operation Pedal
- Electromotor.

- **CAPACITY PER HOUR - PER CHARGE**

- Beef, Sheep or Hog Nails-Hooves : Up to 600 Per Hour.

- **TECHNICAL FEATURES**

- Execution : AISI 304 stainless-steel and other corrosion resistant materials.
- Dimensions : ±925mm x 745mm x 1.625mm (Length x Width x Height)
- Installed Power : •3 Phase/50Hz •U=400V •P=1.5kW •I=00,00 Amp •N=000rpm at 50Hz.
- Electro Technical Materials : **In accordance with NEN-EN-IEC 60204-1\_2006; IP-Classification: Motors IP55 - Switches IP65.**



NAIL/HOOF REMOVER MACHINE

