

CAPACITY

SHEEP CASINGS 600 CASINGS PER HOUR



AUTOMATIC SHEEP CASING CLEANING LINE

The Automatic Sheep Casing Cleaning Line is special designed for cleaning Sheep Casings in an easy, efficient, and safe way, without damaging the Casings. This will result in high yields and reduced worker fatigue.

The capacity of the Automatic Sheep Casing Cleaning Line depends on number of Machine Units in Line and the length of the rollers present in the Machine Units. The number of Machine Units in a Sheep Casing Cleaning Line can vary from 2 up to 5 and the length of the rollers can vary from 600 up to 1200mm. The capacity is up to 600 Sheep Casings per hour.

The First Machine Units in Line are Manure Stripper and Stripper/De-fatter Machines combined.

These Machine Units will thoroughly clean the casings by stripping out (squeeze by means of different types of Rollers) the Manure & Mucus. The last Machine Unit in the Sheep Casing Cleaning Line is a Finisher-Machine. This Machine unit is special designed to takes off the outer skin (thread-membranes) of the Sheep Casing.

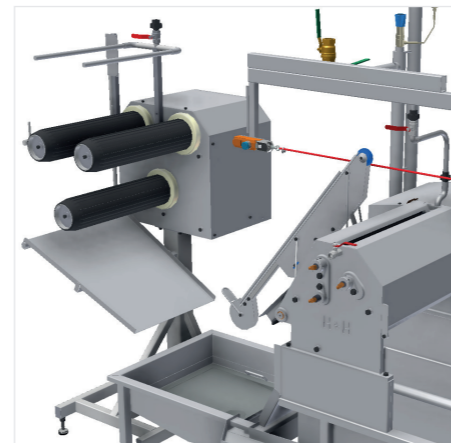
The Mucosa will be collected in a chute and diverted to the side of the Machines.

The Sheep Casing Cleaning Line is manufactured from high quality stainless steel and other corrosion resistant materials and is being supplied with Electric Control Panels according to NEN-EN-IEC 60204-1, including Start/ Stop Buttons.

For maximum safety, the Sheep Casing Cleaning Line is provided with Emergency Stop Buttons and an Emergency Stop Cord over the entire length of the working range.

This durable and reliable Sheep Casing Cleaning is easy to use, to clean and to maintain. It has been carefully designed regarding ergonomics, food-safety requirements and CE-safety regulations.

All food process contact surfaces are in accordance with regulation (EC) 1935/2004.



Sheep Casing Puller with feed-in conveyor

60-120 SSD 2-5

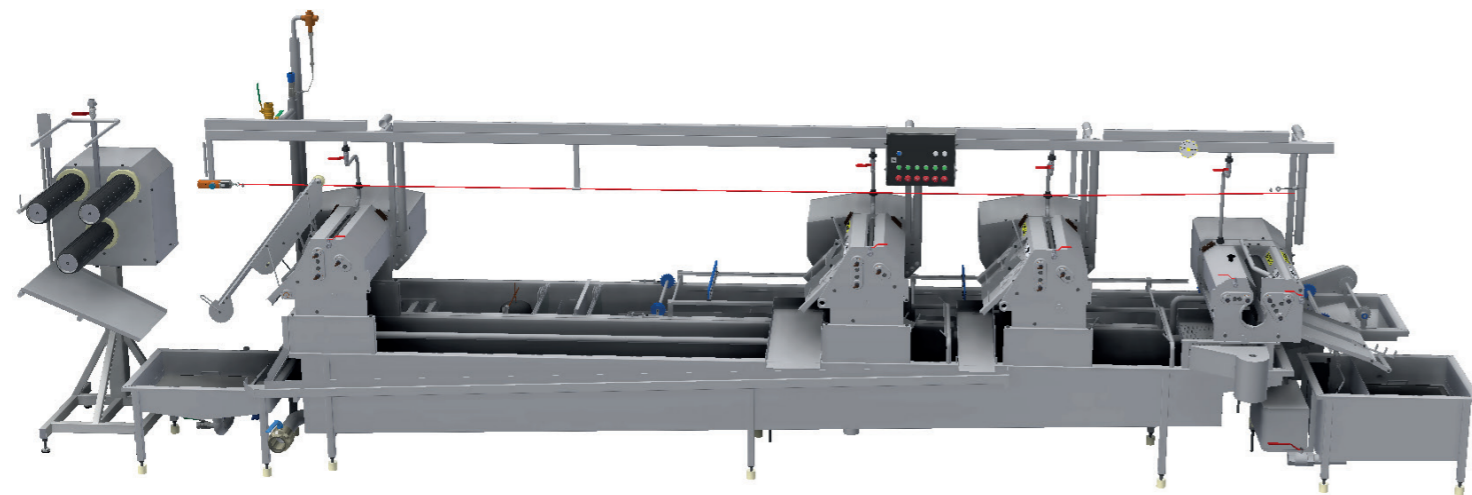
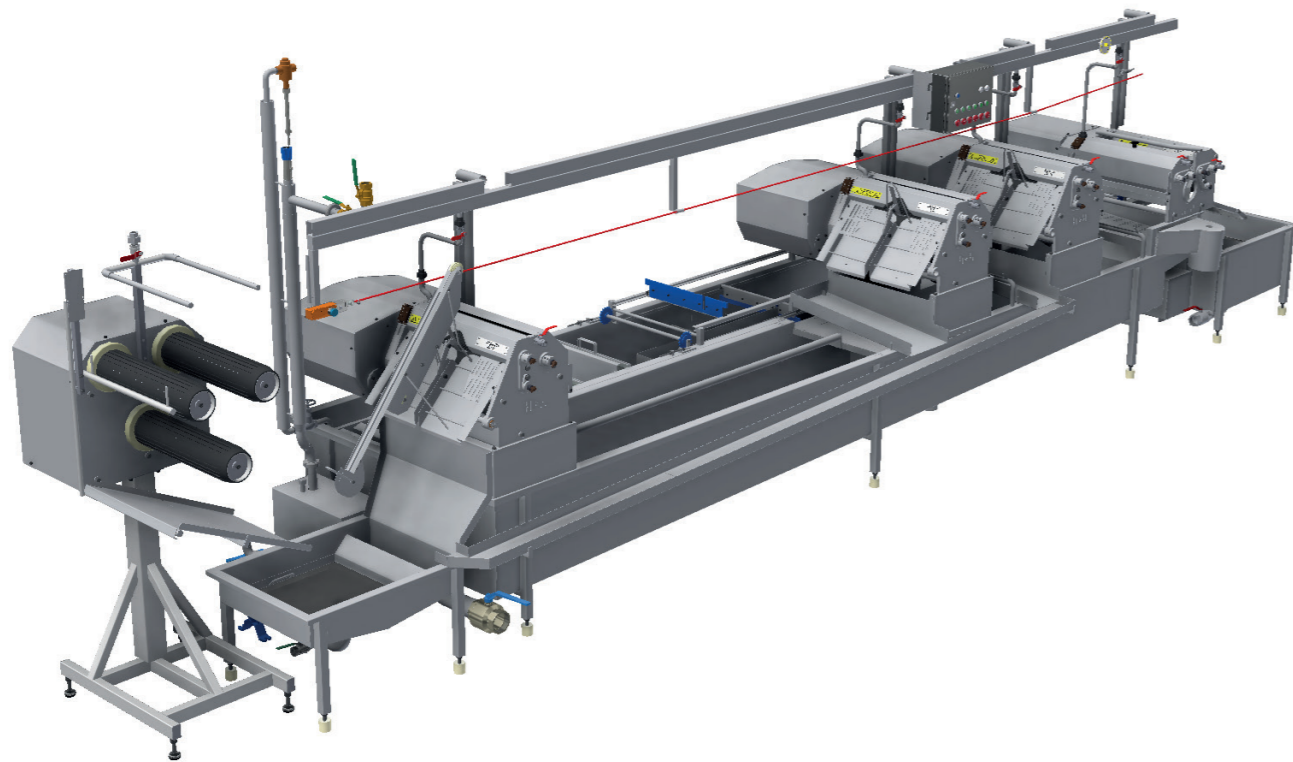
HS CODE: 84385000



ENGLISH



TECHNICAL ILLUSTRATIONS



TECHNICAL DATA LINES

Type SSD	60SSD2	80SSD2	60SSD3	60SSD4	80SSD3	80SSD4	100SSD3	100SSD4	120SSD3	120SSD4	120SSD5
Width (cm)	60	80	60	60	80	80	100	100	120	120	120
ASC	1	1	1	1	1	1	1	1	1	1	1
SFSC	-	-	1	2	1	2	1	2	1	2	3
FIN	1	1	1	1	1	1	1	1	1	1	1
Total machines	2	2	3	4	3	4	3	4	3	4	5
Cap. runners p/h	60	80	300 Collect.	300 Fresh	400 Collect.	400 Fresh	500 Collect.	500 Fresh	600 Collect.	600 Fresh	650

Smaller capacities are available as also universal cleaning lines for multiple animal species.

HOT WATER CONSUMPTION (35°C)

Without HWR (m ³ /h)	1.2	1.6	1.8	2.4	2.2	3.0	2.8	3.8	3.4	4.6	5.8
With HWR (m ³ /h)	0.2	0.3	0.36	0.48	0.44	0.6	0.56	0.76	0.68	0.92	1.16

Cold WATER CONSUMPTION (35°C)

Without CWR (m ³ /h)	0.6	0.6	0.6	0.6	0.6	0.6	0.8	0.8	1.0	1.0	1.2
With CWR (m ³ /h)	0.1	0.1	0.1	0.1	0.1	0.1	0.1	0.1	0.1	0.1	0.1

TECHNICAL FEATURES

Power (kW)	4.4	4.4	7.0	9.2	7.0	9.2	7.0	9.2	7.0	9.2	10.7
HWR Pump (kW)	2.2	2.2	2.2	2.2	2.2	2.2	2.2	2.2	2.2	2.2	4.0
HWR Paddle motor (kW)	-	-	0.12	-	0.12	0.12	0.12	0.12	0.12	0.12	0.12
CWR Pump (kW)	1.85	1.85	1.85	1.85	1.85	1.85	1.85	1.85	1.85	1.85	1.85

EXPLANATION

ASC	Automatic Stripper/Crusher machine
SFSC	Side Feed Stripper/Crusher
FIN	Finisher/De-threading machine
HWR	Hot Water Recycling system (35°C)
CWR	Cold Water Recycling system

OPTIONAL

Hot Water Recycling system pump: 4.0 kW, fat paddle motor: 0.12 kW

Cold Water Recycling system pump: 1.85 kW

Air Flotation System: 5 kW + Air pressure 6 bar

Automatic greasing system: All rollers and motor shafts will be greased automatically - Grease pump: 24 Watt

Applying the Hot and Cold-Water Recycling system can result in water saving up to 90%.