

CAPACITY

HOG CASINGS	450 CASINGS PER HOUR
BEEF ROUNDS	60 ROUNDS PER HOUR



HOG & BEEF CASING PULLER

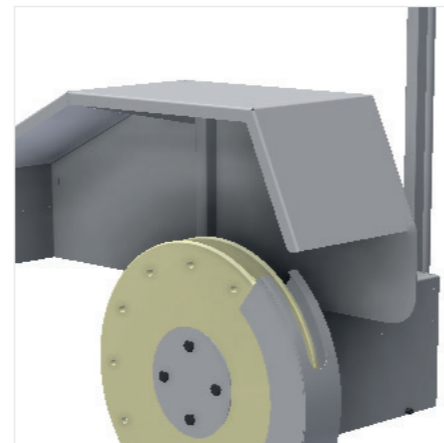
The Hog & Beef Casing Puller is equipped with a motorized pulling wheel to optimize the extraction of the Hog Casings or Beef Rounds in an easy, efficient, and safe way, without damaging the casings. This will result in high yields and reduced worker fatigue.

With this Hog & Beef Casing Puller it is possible to extract up to 450 Hog Casings or up to 60 Beef Rounds per hour.

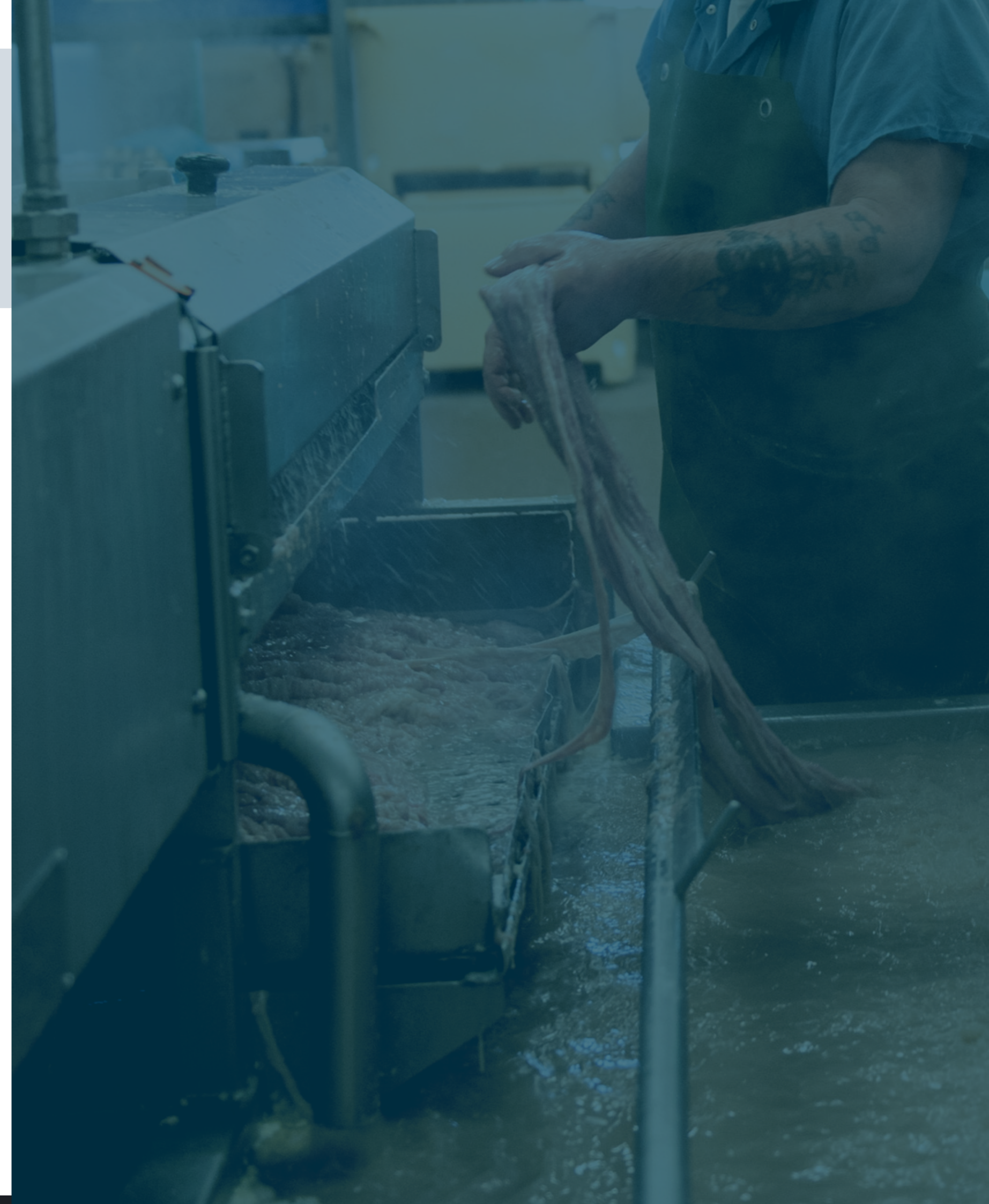
The Hog & Beef Casing Puller is manufactured from high quality stainless steel and other corrosion resistant materials. It is also supplied with an electric control panel including a start/stop and emergency-stop button.

This durable and reliable Casing Puller is easy to use, to clean and to maintain. It has been carefully designed regarding ergonomics, food-safety requirements and CE-safety regulations.

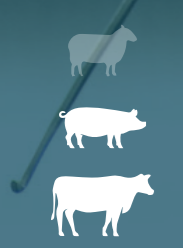
All food process contact surfaces are in accordance with regulation (EC) 1935/2004.



Casing pulling wheel



450/315
HS CODE: 84385000



SUPPLIED WITH

- Electrical control panel including start/stop and emergency-stop button.
- Food grade pulling wheel
- Stainless-steel protective housing.

CAPACITY PER HOUR

- Hog Casings Up to 450 Hog Casings per hour
- Beef Rounds Up to 60 Beef Rounds per hour

TECHNICAL FEATURES

- Execution AISI 304 stainless-steel and other corrosion resistant materials.
- Dimensions $\pm 300\text{mm} \times 645\text{mm} \times 1.910\text{mm}$ (Length x Width x Height).
- Installed Power •3 Phase/50Hz •U=400V •P=0.37kW.
- Electro Technical Materials In accordance with NEN-EN-IEC 60204-1_2006; IP-Classification: Motors IP55 - Switches IP65.

Depending on the required capacity we can place multiple Casing Pullers in line and equip them with pneumatic casing loaders to feed the runner over the feeding chain of the Casing Cleaning Line.

TECHNICAL ILLUSTRATIONS

